

* Only with optional accessory PARC01



Automation for sectional garage door

LIBRA



Garage door opener for sectional or spring-balanced doors up to 12m² wide and 100Kg of weight.

EASY COMFORT.

Irreversible 24V motor designed for residential use-Complete with embedded control unit and encoder-type limit switch system.

With quick and easy programming, thanks to the keypad and display screen visible on the motor's cover, there is no need to remove fascias to adjust any of the program settings.

Control board features:

- Automatic programming of the working times
- Soft-start and soft-stop for efficient noise reduction
- Anti-crushing system with adjustable obstacle detection
- Automatic closing functions and alert for when garage door is left open.
- Built-in radio receiver
- Courtesy light

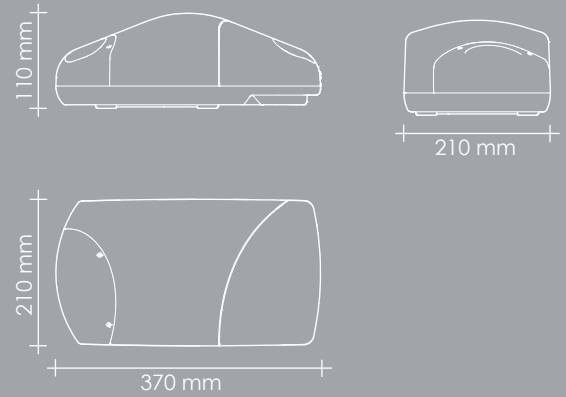
The LIBRA is suitable for light to heavy use.

The LIBRA is available in two versions and can be installed on counterweight-balanced garage doors using the optional adapter.

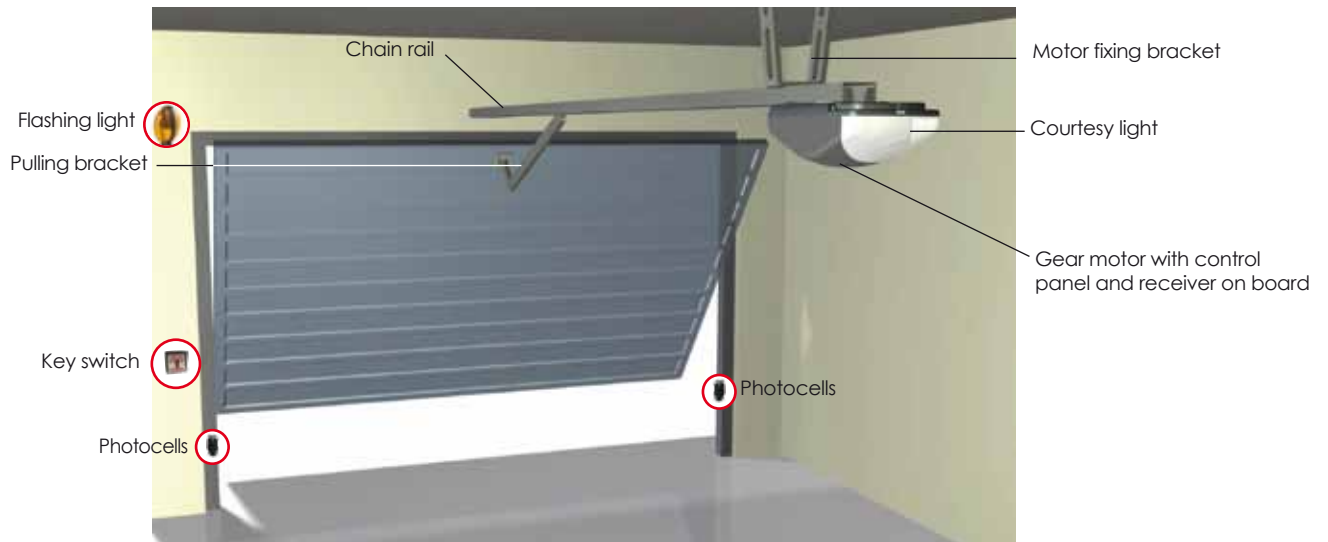
The LIBRA has an emergency release system from inside the garage in the event of power failure.

TECHNICAL FEATURES

	LIBRA	LIBRA PLUS
Motor Power supply	24Vdc	24Vdc
Current (stand-by mode)	4 W	4W
Motor Power	100 W	150 W
Class IP Protection	40	40
Pulling Force	700 N	1100 N
Opening Time	17"	17"
Door maximum size	8 m ²	12 m ²
Door maximum weight	60 Kg	100 Kg
Door maximum height	2,4 m	2,4 m
Duty Cycle	80%	80%
Rail length	3 m	3,3 m



LIBRA/Professional/English



LIBRAkit

KIT CONTENTS:

- Motor with control unit and internal radio receiver
- 3m chain rail (3,3m for Libra Plus model)
- TX312 3-channel transmitter, 433.92Mhz



Soft-start & soft-stop



Obstacle detection

