

HZ MICRO-RECEIVER FOR LIGHTING




Ref. 2008193

This receiver enables you to control incandescent or halogen lighting remotely from a SIMU-Hz radio transmitter. It is fitted behind the wired switch in the electrical wall box (minimum recommended depth of 50 mm). With a multi-channel remote control you can control both a CENTRIS Hz motor and lighting with the same remote control.


ACCESSORIES

PRODUCT	TUBES	DESCRIPTION	REFERENCE
	Ø 34mm	adaptation kits	9015363
	Ø 42mm	adaptation kits	9015364
	Ø 48mm	adaptation kits	9015366

- These kits allow you to mount CENTRIS Hz onto a mechanism using a Ø 34, Ø 42 or Ø 48-mm tube.
- Used with CENTRIS Hz: M or L for a Ø 60-mm tube.

PRODUCT	RING GEARS	DESCRIPTION	REFERENCE x 10
	Ø 200mm up to Ø 220mm	adaptations kits for crown	9016731
	Ø 220mm up to Ø 240mm	adaptations kits for crown	9016731

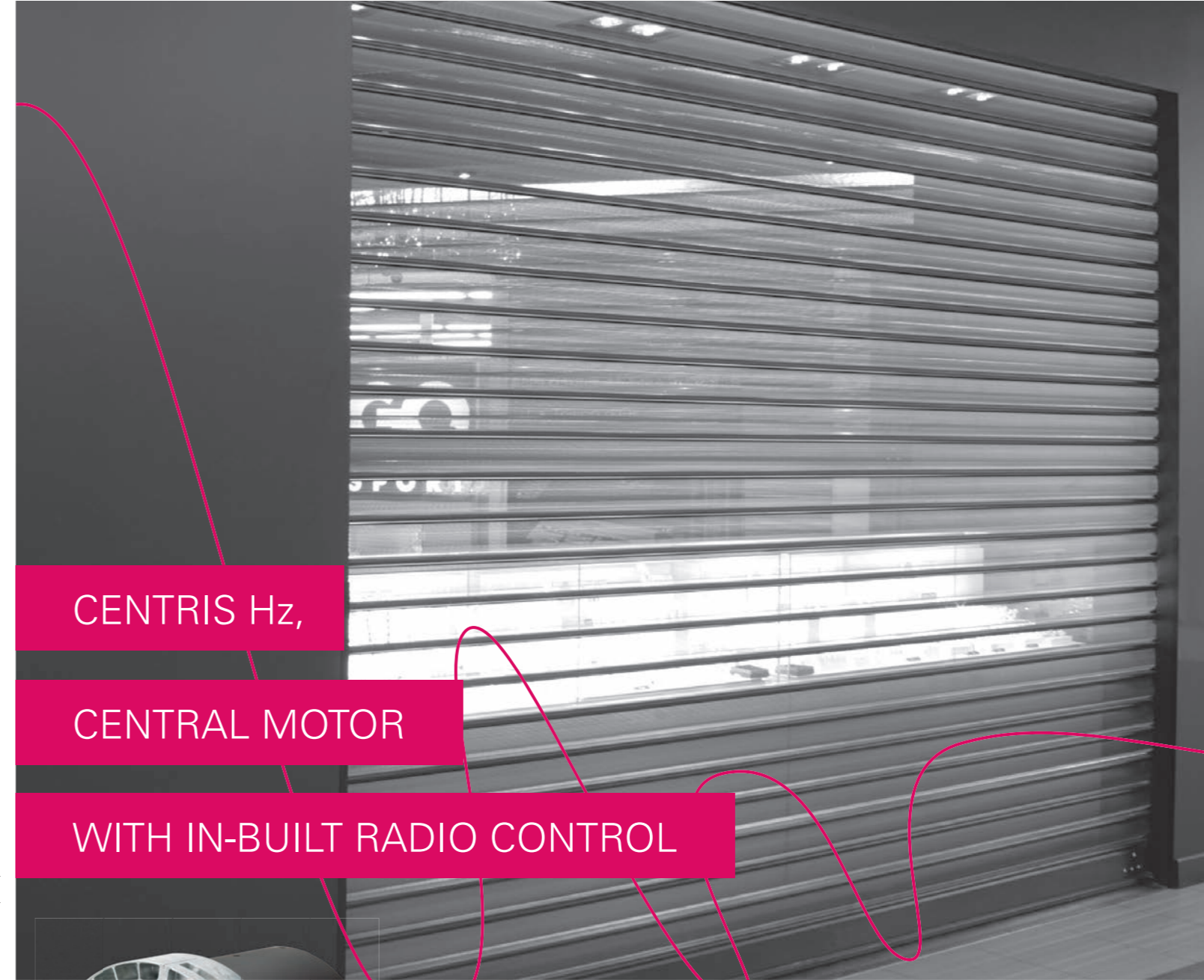
- Sachet of 10 adaptations

PRODUCT	LONGUEUR	DESCRIPTION	REFERENCE
	6 meters	declutching kits	9015176
	6 meters	declutching kits 6 meters <i>(instructions in English / Arabic)</i>	9015361

- A declutching kit (one handle, a 6-m cable, technical instructions) is delivered as standard with the CENTRIS Hz version equipped with brakes.
- The references below will be used in the context of the after sales service.



Realisation SIMU - File 12-0090/PAO - 12/12 — This document is not legally binding. We reserve ourselves the right to make any useful modification in order to constantly develop and improve our tender. SIMU shall not be held responsible for misuse by non-professionals.



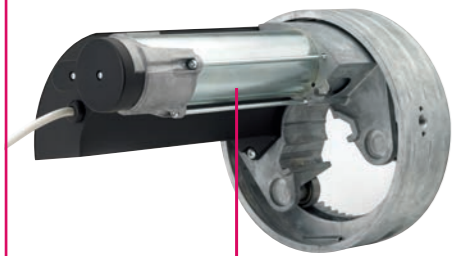
CENTRIS RELIABILITY WITH THE COMFORT OF RADIO CONTROL

- **Unique on the market**, the new SIMU central motor with in-built radio receiver can be controlled remotely from a SIMU-Hz radio transmitter.
- **Faster installation**: The control is wireless. No control box or key switch or external receiver to wire, therefore no holes in the walls or cable raceways to lay.
- **Simplified setting of the limit switches** from the radio transmitter. Just few clicks is all it takes to set the limit switches from the ground. No need to access the motor!
- **Secure control commands**, transmitted by encrypted orders and rolling code (16 million possible combinations).
- **Patented declutching system** which acts directly on the gearbox for immediate release and effortless operation.
- **Constant work-rate**: the nominal torque is guaranteed for the entire operating cycle with no loss of power!
- **Intermediate-position memorisation**: simply press the stop button and the shutter goes to the recorded mid-height position to show that the store is about to close.



CENTRIS Hz MOTOR

MOTOR WARRANTY
5 years

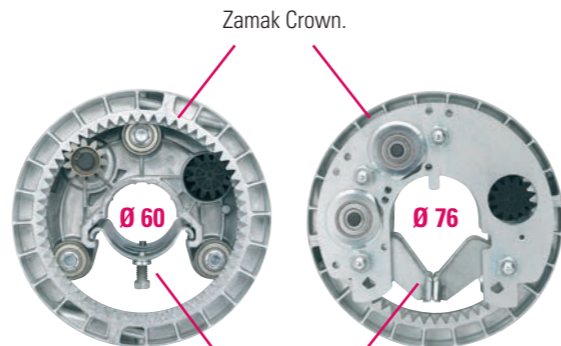


The nominal torque is guaranteed for the entire operating cycle with no loss of power.

In-built brake capable of holding up to 1.2 times the nominal torque which guarantees the roller will stop closing immediately.



Declutching system which acts directly on the reducer.



Zamak Crown.

Patented fixing systems ensuring the motor is held solidly and durably.

Radio receiver in-built in the motor.



Electronic limit switch system fully protected in a box. After releasing the declutching or in the event that there is no electricity for a long period, this unique system automatically returns to its limit switches.

TECHNICAL CHARACTERISTICS

LIMIT SWITCH	Electronic system controlled by a SIMU-Hz radio transmitter
POWER SUPPLY	230 Volts - 50 Hz
RADIO FREQUENCY	433,42 MHz
SECURE COMMUNICATION	Encryption of the control commands + rolling code with 16 million possible combinations
RANGE	~200 m in free-field and ~20 m through 2 reinforced concrete walls (depends on the environment and radio pollution)
THERMAL CUT-OUT	4 minutes
NUMBER OF CYCLES PER DAY	10 (non-consecutive)
PROTECTION INDEX	IPX4
STANDARD CABLE	white, H05 VVF, 4m long.

MOTOR SELECTION CHARTS

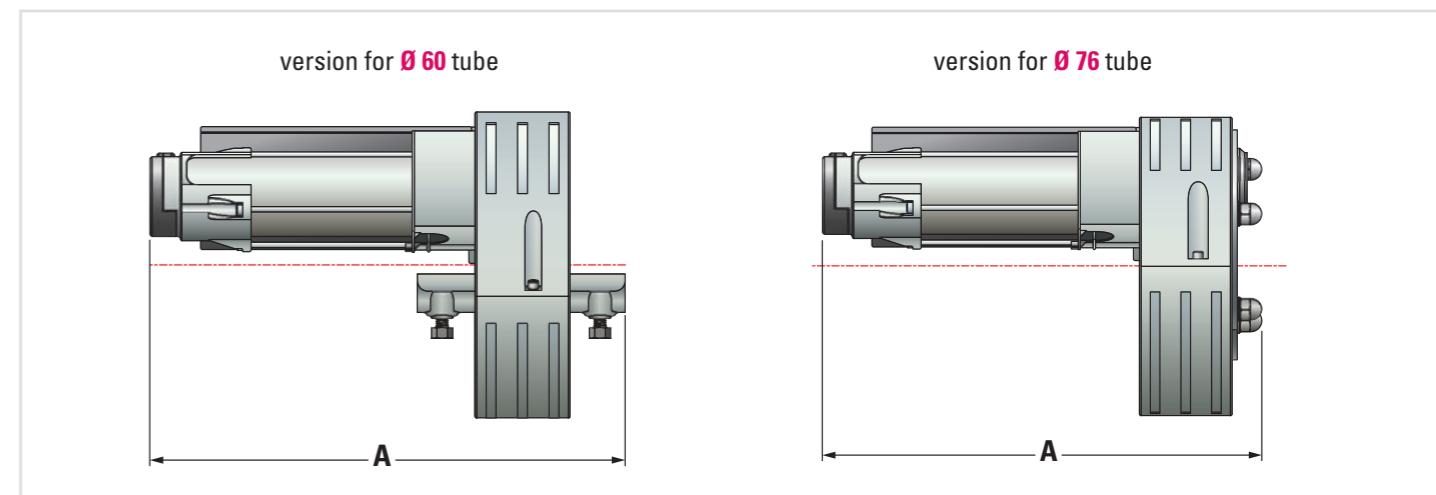
The choice of motor is based on:

- the weight of the shutter or grille
- the diameter of the central tube (Ø60 or Ø76)
- the diameter of the spring wire coil (Ø200, Ø220 or Ø240)

MOTORS	CROWN Ø 200		CROWN Ø 220		CROWN Ø 240	
	Nominal	Max	Nominal	Max	Nominal	Max
CENTRIS M	160 KG	200 KG	150 KG	190 KG	-	-
CENTRIS L	220 KG	250 KG	200 KG	230 KG	180 KG	210 KG
CENTRIS XL	-	-	255 KG	270 KG	230 KG	245 KG

The load graphs and functional limits are provided for illustration purposes only and vary depending on the characteristics of every installation. Under no circumstances may the seller or manufacturer be held liable for the information contained therein. Please consult us about any special cases.

TECHNICAL DATA



Power supply 230V - 50Hz

NAME	TORQUE	POWER	CURRENT	SPEED	LIMIT SWITCH CAPACITY	BRAKE & DECLUTCHING	TUBE DIAMETER	CROWN	WEIGHT	LENGTH A	REFERENCE
CENTRIS M	75 Nm	300 W	1,3 A	10 rpm	20 Trs	yes	60 mm	200 mm	7 kg	372 mm	2008248
CENTRIS M	75 Nm	300 W	1,3 A	10 rpm	20 Trs	yes	60 mm	220 mm	7 kg	372 mm	2008249
CENTRIS L	100 Nm	360 W	1,6 A	10 rpm	20 Trs	yes	60 mm	200 mm	7 kg	372 mm	2008250
CENTRIS L	100 Nm	360 W	1,6 A	10 rpm	20 Trs	yes	60 mm	220 mm	7 kg	372 mm	2008251
CENTRIS L	100 Nm	360 W	1,6 A	10 rpm	20 Trs	yes	76 mm	220 mm	7 kg	372 mm	2008252
CENTRIS L	100 Nm	360 W	1,6 A	10 rpm	20 Trs	yes	76 mm	240 mm	7 kg	372 mm	2008253
CENTRIS XL	140 Nm	450 W	2 A	10 rpm	20 Trs	yes	60 mm	220 mm	7 kg	372 mm	2008254
CENTRIS XL	140 Nm	450 W	2 A	10 rpm	20 Trs	yes	76 mm	220 mm	7 kg	372 mm	2008255
CENTRIS XL	140 Nm	450 W	2 A	10 rpm	20 Trs	yes	76 mm	240 mm	7 kg	372 mm	2008256

COMPATIBLE WALL-MOUNTED RADIO CONTROLS



COLOR+ *
wall transmitter
(1 channel)

Ref. 2008194



SA Hz keypad
secure

Ref. 2006029

COMPATIBLE REMOTE CONTROLS



TSA+
Remote control
(4 channels)

Ref. 2007846



TSA2
Remote control
(2 channels)

Ref. 2005326



COLOR+ 1
Remote control
(1 channel)

Ref. 9018202



COLOR+ 5
Remote control
(5 channels)

Ref. 2008208

All CENTRIS Hz motors are supplied with a white **COLOR+ *** wall transmitter.

SIMU-Hz advantages : CENTRALISATION OF COMMANDS

Manage all the closures and solar protection systems equipped with SIMU-Hz radio using the same multi-channel transmitter.

FOR EXAMPLE

Using just one remote control you can send commands to the store awning, store screen, grill, light curtain, etc.

